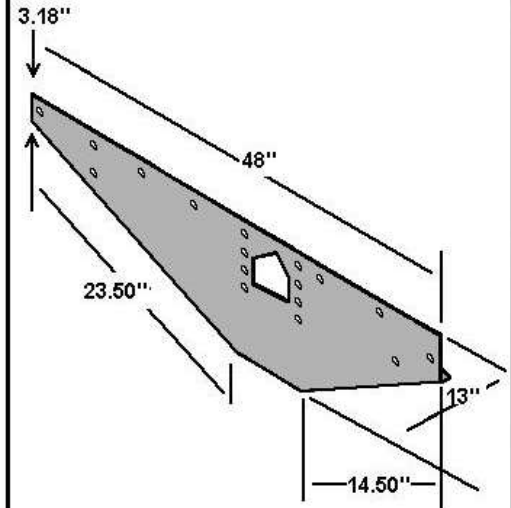
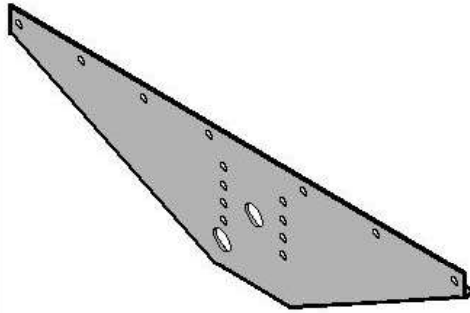
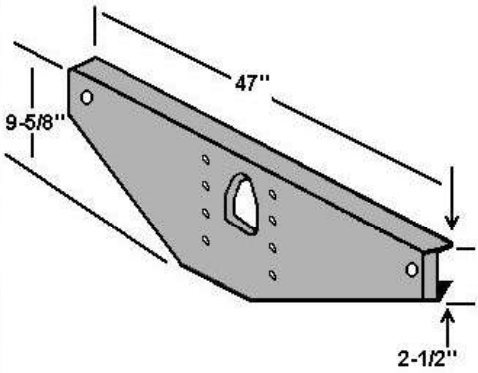


SUPPORT VERTICAL

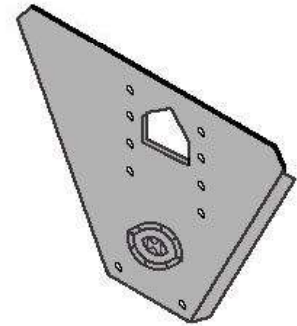
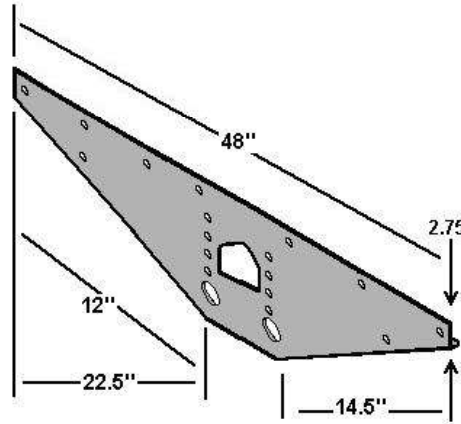
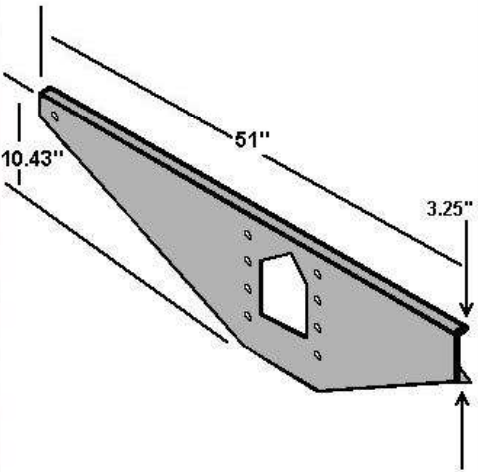
SUPPORTS DE MONTAGE



4004-0-500 | FRUEHAUF | 5 TRAVERSES

4004-0-600L | GREAT DANE | HOLLAND
4004-0-600R | GREAT DANE | HOLLAND

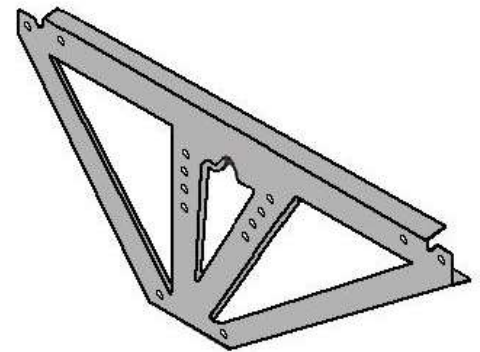
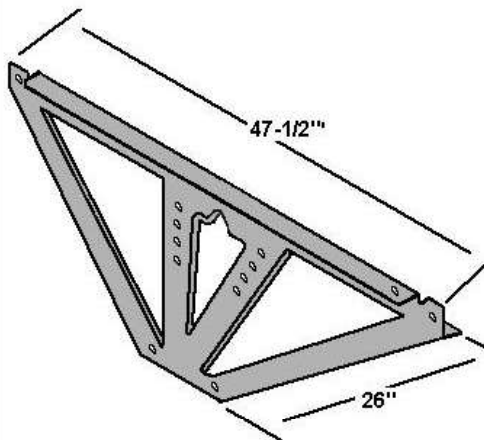
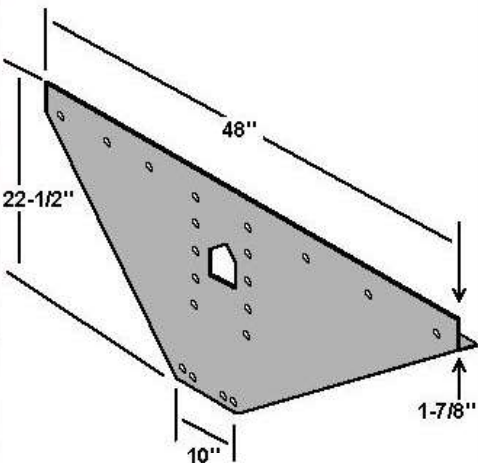
4004-0-601L | GREAT DANE | SÉRIE P
4004-0-601R | GREAT DANE | SÉRIE P



4004-0-602L | GREAT DANE | SUPERSEAL
4004-0-602R | GREAT DANE | SUPERSEAL

4004-0-603L | GREAT DANE
4004-0-603R | GREAT DANE

4004-0-720L | HYUNDAI
4004-0-720R | HYUNDAI



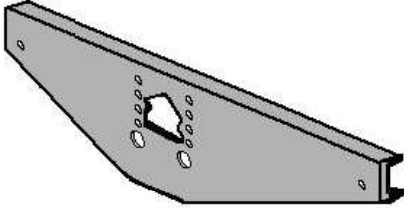
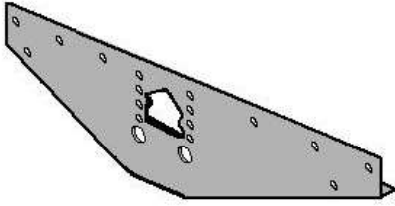
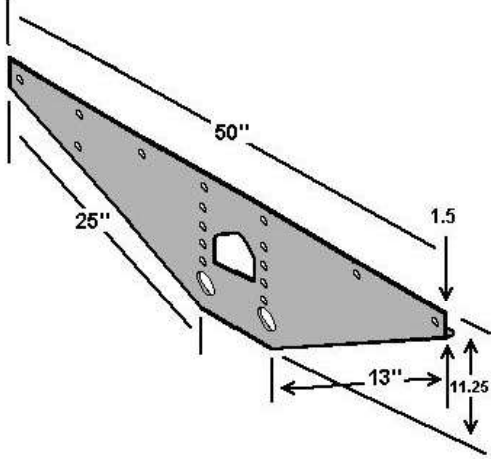
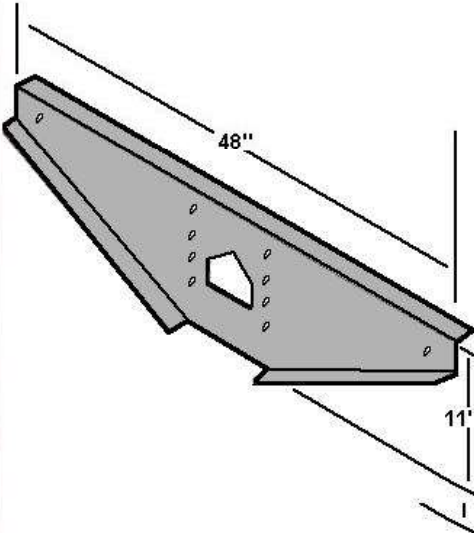
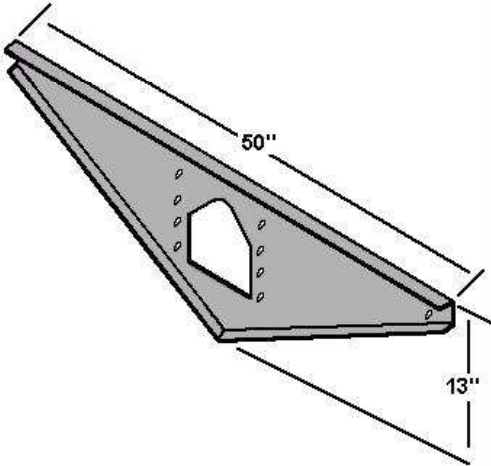
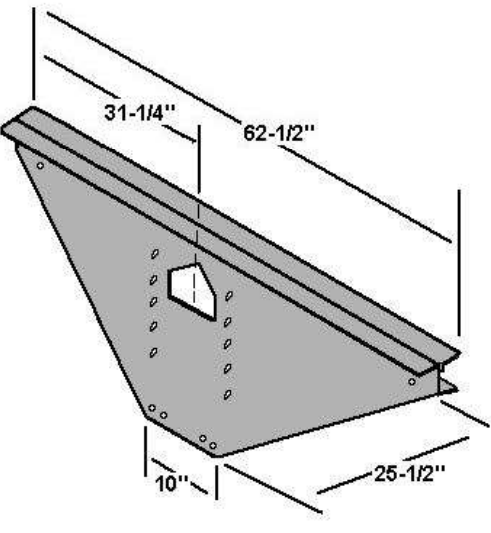
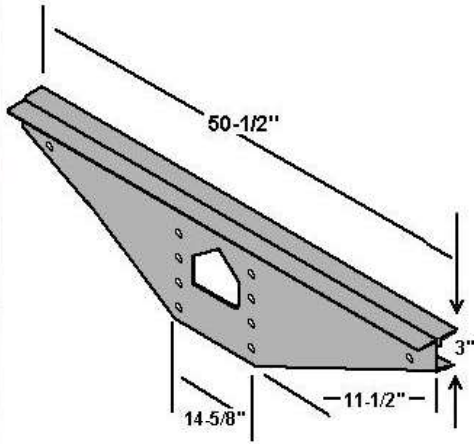
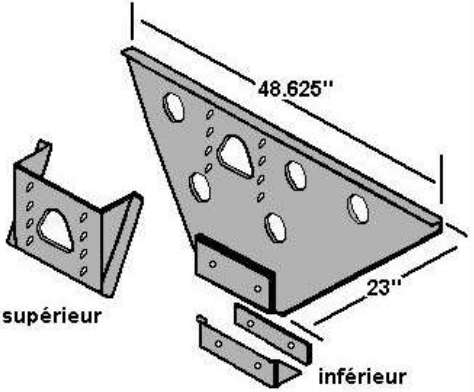
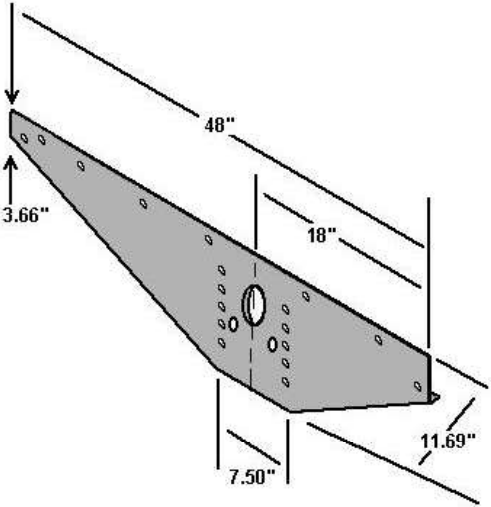
4004-0-721 | HYUNDAI

4004-16-48 | MANAC | 5 TRAVERSES | 47-1/2"
4004-0-049 | MANAC | 6 TRAVERSES | 59"

4004-16-50 | MANAC | 6 TRAVERSES
4004-0-051 | MANAC | 5 TRAVERSES

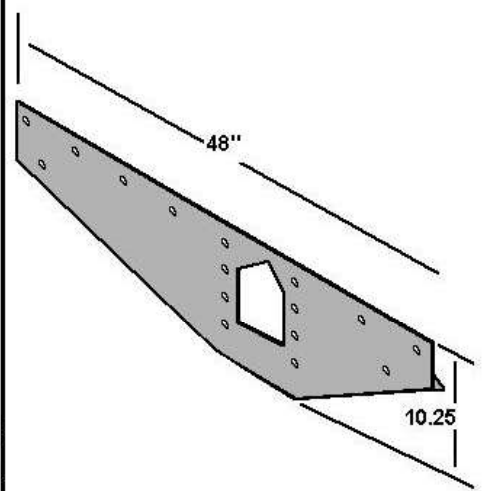
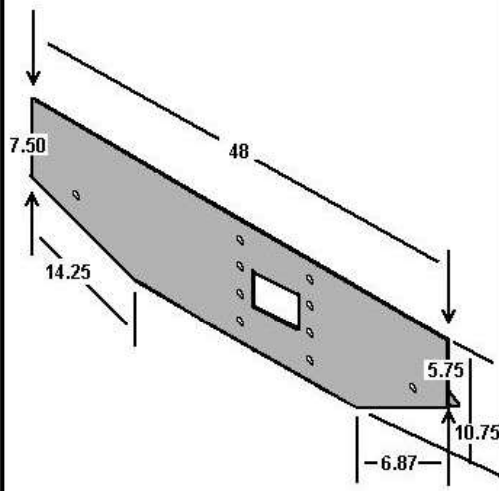
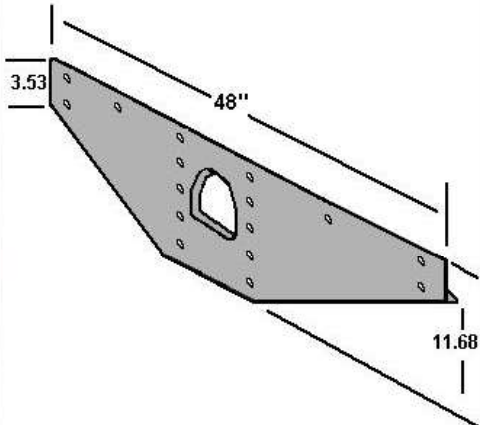
SUPPORT VERTICAL

SUPPORTS DE MONTAGE

					
UNIVERSEL		UNIVERSEL		4004-0-902L	STOUGHTON
4004-0-900	STOUGHTON	SOUDÉ	4004-0-901	STOUGHTON	BOULONNÉ
					
4004-0-610L	STRICK		4004-0-611L	STRICK	
4004-0-610R	STRICK		4004-0-611R	STRICK	
				4004-0-223	TRAILMOBILE 6 traverses
					
5 TRAVERSES		4004-0-112	UTILITY	Renfort inférieur GA	
		4004-0-113	UTILITY	Renfort inférieur DR	
		4004-0-123	UTILITY	Renfort supérieur GA	
		4004-0-124	UTILITY	Renfort supérieur DR	
4004-0-224L	TRAILMOBILE		4004-0-177	UTILITY	
4004-0-224R	TRAILMOBILE		4004-0-178	UTILITY	
				4004-0-225L	VANGUARD
				4004-0-225R	VANGUARD

SUPPORT VERTICAL

SUPPORTS DE MONTAGE



4004-0-701L WABASH

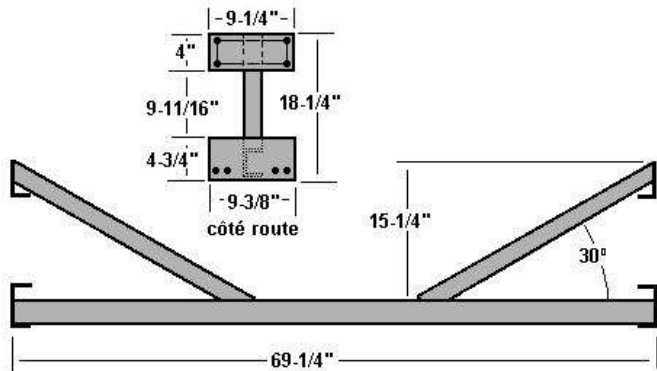
4004-0-702L WABASH

4004-0-620 VANGUARD

4004-0-701R WABASH

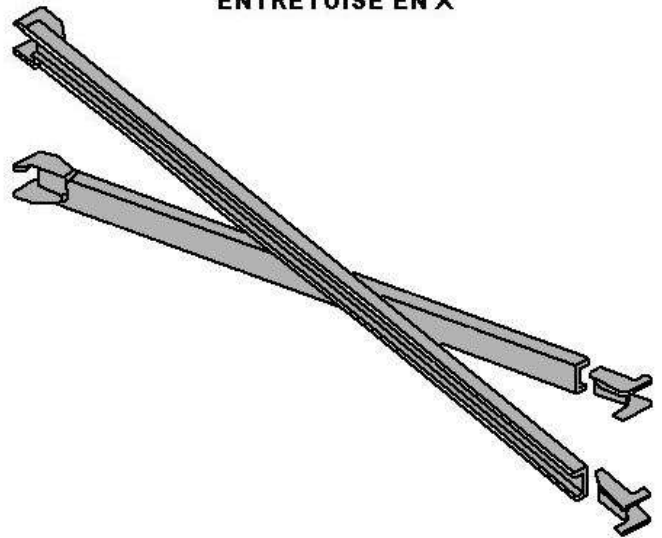
4004-0-702R WABASH

ENTRETOISE EN K



4004-A-892 TRAILMOBILE

ENTRETOISE EN X



4004-A-100 UTILITY

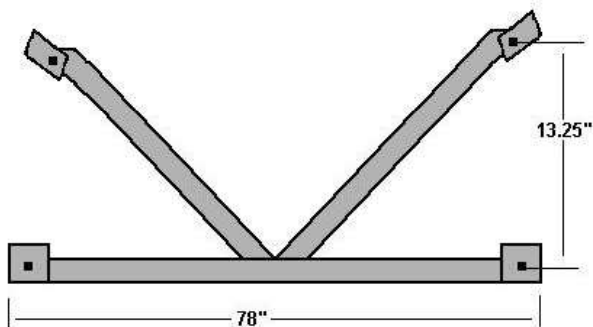
4004-0-105 UTILITY

4004-0-107 UTILITY

EMBOUT

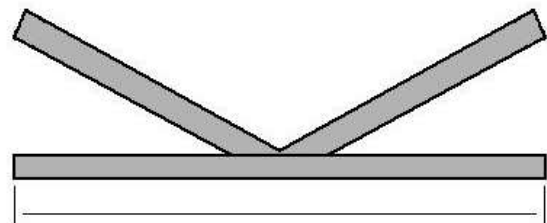
EMBOUT

ENTRETOISE EN K



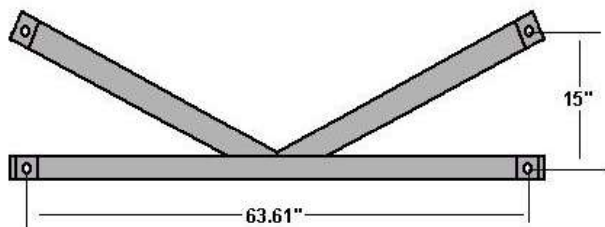
4004-A-600 GREAT DANE

ENTRETOISE EN K



4004-A-700 WABASH

ENTRETOISE EN K



4004-A-720 HYUNDAI